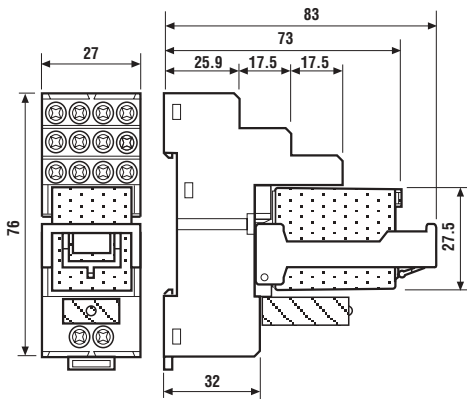


- Relay interface modules for use with PLC systems, 27mm wide
- AC and DC versions available
- Supply status indication and coil suppression module provided
- Identification label
- 35 mm rail (EN 50022) mounting



58.32

58.33

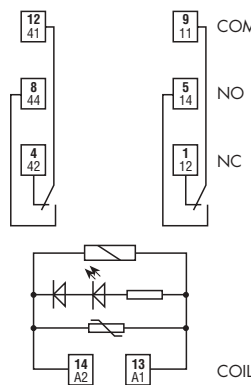
58.34



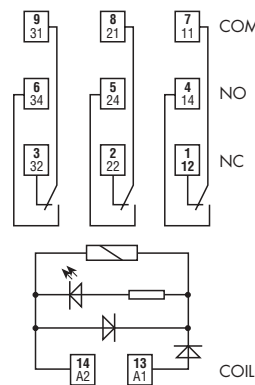
- 2 pole, 10 A
- 35 mm rail mounting

- 3 pole, 10 A
- 35 mm rail mounting

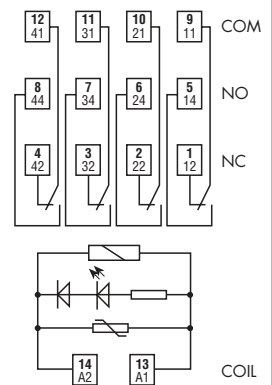
- 4 pole, 7 A
- 35 mm rail mounting



Example: AC



Example: DC



Example: AC

Contact specifications				
Contact configuration		2 CO (DPDT)	3 CO (3PDT)	4 CO (4PDT)
Rated current/Maximum peak current	A	10/20	10/20	7/15
Rated voltage/Maximum switching voltage	V AC	250/400	250/400	250/250
Rated load in AC1	VA	2,500	2,500	1,750
Rated load in AC15 (230 V AC)	VA	500	500	350
Single phase motor rating (230 V AC)	kW	0.37	0.37	0.125
Breaking capacity in DC1: 30/110/220V	A	10/0.25/0.12	10/0.25/0.12	7/0.25/0.12
Minimum switching load	mW (V/mA)	300 (5/5)	300 (5/5)	300 (5/5)
Standard contact material		AgNi	AgNi	AgNi
Coil specifications				
Nominal voltage (U _N)	V AC (50/60 Hz)	12 - 24 - 48 - 110 - 120 - 230		
	V DC	12 - 24 - 48		
Rated power AC/DC	VA (50 Hz)/W	1.5/1	1.5/1	1.5/1
Operating range	AC	(0.8...1.1)U _N	(0.8...1.1)U _N	(0.8...1.1)U _N
	DC	(0.8...1.1)U _N	(0.8...1.1)U _N	(0.8...1.1)U _N
Holding voltage	AC/DC	0.8 U _N /0.5 U _N	0.8 U _N /0.5 U _N	0.8 U _N /0.5 U _N
Must drop-out voltage	AC/DC	0.2 U _N /0.1 U _N	0.2 U _N /0.1 U _N	0.2 U _N /0.1 U _N
Technical data				
Mechanical life AC/DC	cycles	20 · 10 ⁶ /50 · 10 ⁶	20 · 10 ⁶ /50 · 10 ⁶	20 · 10 ⁶ /50 · 10 ⁶
Electrical life at rated load AC1	cycles	200 · 10 ³	200 · 10 ³	150 · 10 ³
Operate/release time	ms	9/3 (AC) - 9/15 (DC)	9/3 (AC) - 9/15 (DC)	9/3 (AC) - 9/15 (DC)
Insulation according to EN 61810-1 ed. 2		3.6 kV/2	3.6 kV/2	2.5 kV/2
Insulation between coil and contacts (1.2/50 μs)	kV	3.6	3.6	3.6
Dielectric strength between open contacts	V AC	1,000	1,000	1,000
Ambient temperature range	°C	-40...+70	-40...+70	-40...+70
Protection category		IP 20	IP 20	IP 20

58

Approvals (relay): (according to type)



ORDERING INFORMATION

Example: a 58 series 35 mm rail (EN 55022) mounting interface module, 4 CO (4PDT), 24 V DC coil with green LED + diode.

	5	8	.	3	.	4	.	9	.	0	2	4	.	0	0	5	0
														A	B	C	D
Series	58			3		4		9		024		00					
Type				3 = 35 mm rail mount													
No. of poles				2 = 2 pole, 10 A		3 = 3 pole, 10 A		4 = 4 pole, 7 A									
Coil version				8 = AC (50/60 Hz)		9 = DC											
Coil voltage				see coil specifications													
														A: Contact material	B: Contact circuit	C: Options	D: Special versions
														0 = AgNi Standard	0 = CO (nPDT)	5 = Standard DC: green LED + diode (polarity +A1)	0 = Standard
																6 = Standard AC: green LED + varistor	

TECHNICAL DATA

58 INSULATION

Insulation according to EN 61810-1 ed. 2	insulation rated voltage	V	400 (2-3 pole)	250 (4 pole)
	rated impulse withstand voltage	kV	3.6 (2-3 pole)	2.5 (4 pole)
	pollution degree		2	
	overvoltage category		III	
Dielectric strength between adjacent contacts	V AC	2,000 (58.32,58.33)	1,550 (58.34)	

CONDUCTED DISTURBANCE IMMUNITY

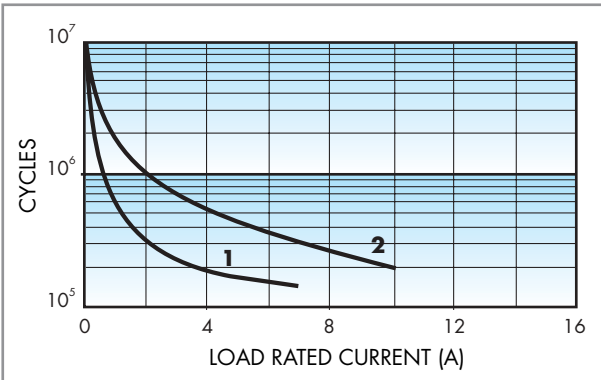
Burst (5...50)ns, 5 kHz, on A1 - A2	EN 61000-4-4	level 4 (4 kV)
Surge (1.2/50 µs) on A1 - A2 (differential mode)	EN 61000-4-5	level 4 (4 kV)

OTHER DATA

Bounce time: NO/NC	ms	1/4	
Vibration resistance (10...55)Hz, max. ± 1 mm: NO/NC	g/g	6/6	
Power lost to the environment	without contact current	W	1
	with rated current	W	3 (58.32, 58.34) 4 (58.33)
Wire strip length	mm	8	
⊕ Screw torque	Nm	0.5	
Max wire size		solid cable	stranded cable
	mm ²	1x6 / 2x2.5	1x4 / 2x2.5
	AWG	1x10 / 2x14	1x12 / 2x14

CONTACT SPECIFICATIONS

F 58

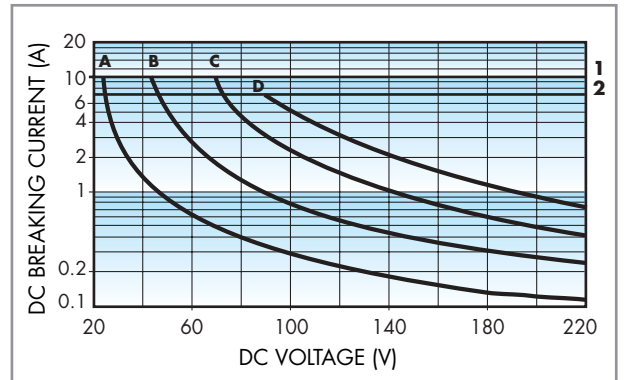


Electrical life vs AC1 load.

1 - 4 CO (4PDT) relay type (7 A)

2 - 2 - 3 CO (DPDT and 3PDT) relay type (10 A)

H 58



Breaking capacity for DC1 load.

1 - 2 - 3 CO (DPDT and 3PDT) type

2 - 4 CO (4PDT) type

A - Load applied to 1 contact

B - Load applied to 2 contacts in series

C - Load applied to 3 contacts in series

D - Load applied to 4 contacts in series

- When switching a resistive load (DC1) having voltage and current values under the curve the expected electrical life is $\geq 100 \cdot 10^3$ cycles.

- In case of DC13 loads the connection of a diode in parallel with the load will permit the same electrical life as for a DC1 load.

Note: the release time of load will be increase.

COIL SPECIFICATIONS

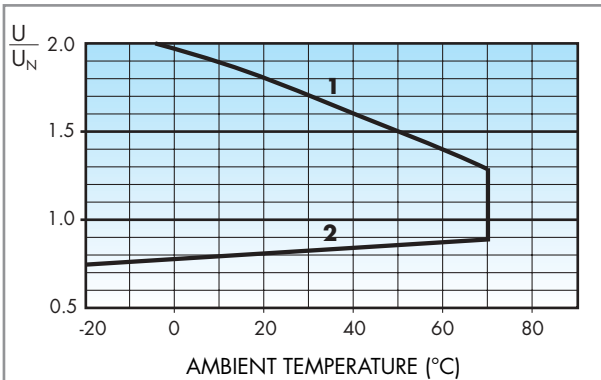
DC VERSION DATA

Nominal voltage U_N V	Coil code	Operating range		Resistance R Ω	Rated coil absorption I at U_N mA
		U_{min} V	U_{max} V		
12	9.012	9.6	13.2	140	86
24	9.024	19.2	26.4	600	40
48	9.048	38.4	52.8	2,400	20

AC VERSION DATA

Nominal voltage U_N V	Coil code	Operating range		Resistance R Ω	Rated coil absorption I at U_N (50Hz) mA
		U_{min} V	U_{max} V		
12	8.012	9.6	13.2	50	97
24	8.024	19.2	26.4	190	53
48	8.048	38.4	52.8	770	25
110	8.110	88	121	4,000	12.5
120	8.120	96	132	4,700	12
230	8.230	184	253	17,000	6

R 58 DC

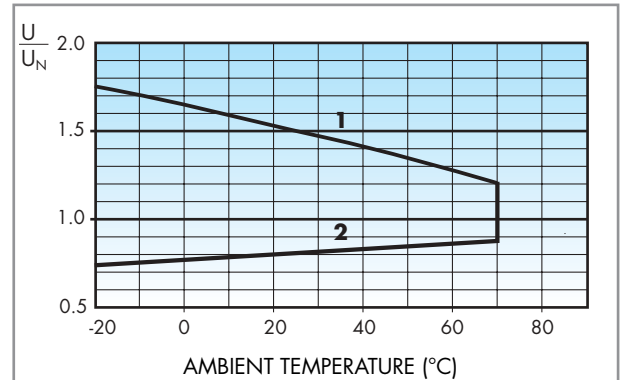


Operating range (DC type) vs ambient temperature.

1 - Max coil voltage permitted.

2 - Min pick-up voltage with coil at ambient temperature.

R 58 AC



Operating range (AC type) vs ambient temperature.

1 - Max coil voltage permitted.

2 - Min pick-up voltage with coil at ambient temperature.

COMBINATIONS

Code	Type of socket	Type of relay	Module	Retaining clip
58.32	94.02	55.32	99.02	094.01
58.33	94.03	55.33	99.02	094.01
58.34	94.04	55.34	99.02	094.01

ACCESSORIES

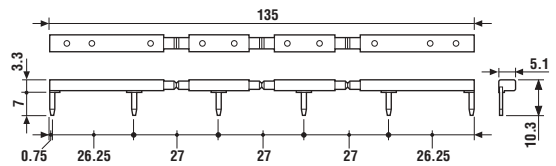


094.06

6-way jumper link

094.06

- Rated values: 10 A - 250 V



060.72

Sheet of marker tags (72 tags), 6x12 mm

060.72

PACKAGING CODES

58 How to code and identify retaining clip and packaging options for relay interface module.

Code options according to the last three letters:

5 8 . 3 4 . 9 . 0 2 4 . 0 0 5 0 S P A

- A** Standard packaging
- B** Blister packaging

SP Plastic retaining clip